

Receiver
From

 Society
 Reference
 Address
 Phone
 Fax
 E-mail

Item n° :

103022214

Model :

FEKA 600 M-A

Pump data

Free passage : 25 mm

Pressure rating :

Min. fluid temperature : 0 °C

Max. fluid temperature : 35 °C

Max. Temperature operating : 40 °C

Requested data

Flow : 0 m³/h

Head : 0 m

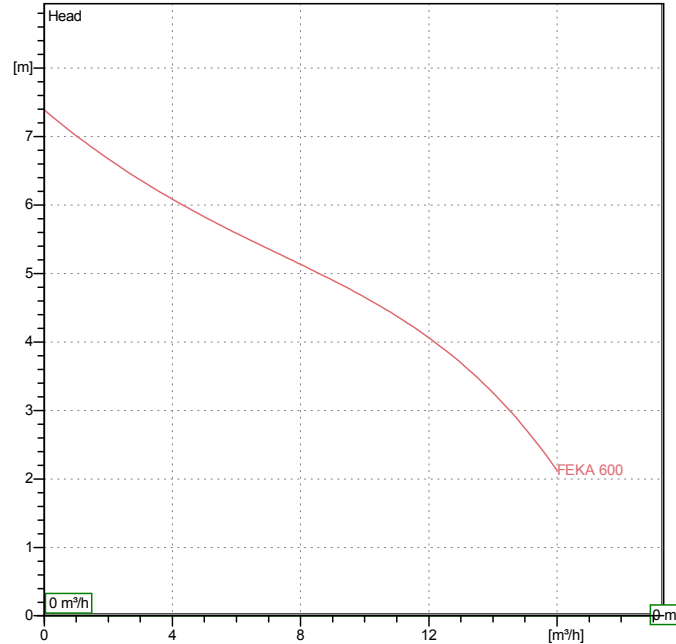
Fluid : Water, pure

Fluid Temperature : 20 °C

Density : 998.3 kg/m³

Kinematic viscosity : 1.005 mm²/s

Vapor pressure : 100 kPa

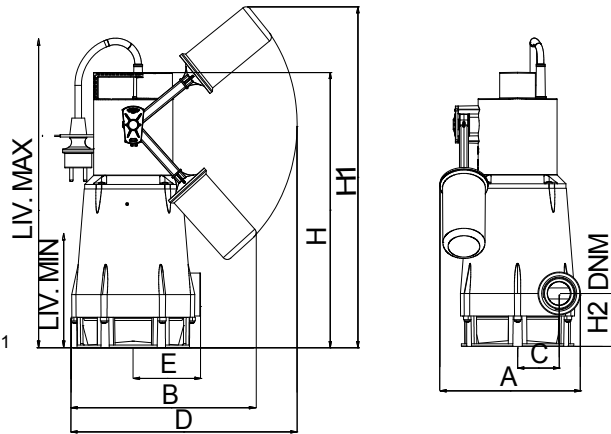
Curve tolerance according to ISO 9906

Hydraulic data (duty point)

Flow :

Head :

Materials

Pump body	Technopolymer
Impeller	Technopolymer
OR ring	NBR Rubber
Motor top body	AISI 304 X5 Cr Ni 1810 UNI 6900/71
Rotor shaft	AISI 416 X12 CrS 13 UNI 6900/71
Seeger ring	12E - UNI 7435 STAINLESS
Suction strainer	Technopolymer


Motor data
Weight : 7 kg

 Motor brand : DAB
 Nominal power P2: 0.55 kW
 Rated speed : 2850 rpm
 Rated voltage : 1~ 220-240 V
 Nominal current : 4.3 A
 Degree of protection : IP 68

50 Hz

Dimensions in mm

Dimension	Value	Dimension	Value
A	189	H1	452
B	247	H2	70.5
C	56	LIV MAX	390
D	303	LIV MIN	190
DNM	1" 1/4 G		
E	90		
H	365		

Pump connection

 Suction side /
 Discharge side 1" 1/4 G / --



WATER • TECHNOLOGY

PERFORMANCE CURVES

08/12/2014

Page 2 / 3

DAB PUMPS S.p.A.
Via Marco Polo, 14 - 35035 Mestrino (PD), Italy
Tel. +39 049 5125000 - Fax +39 049 5125950
www.dabpumps.com

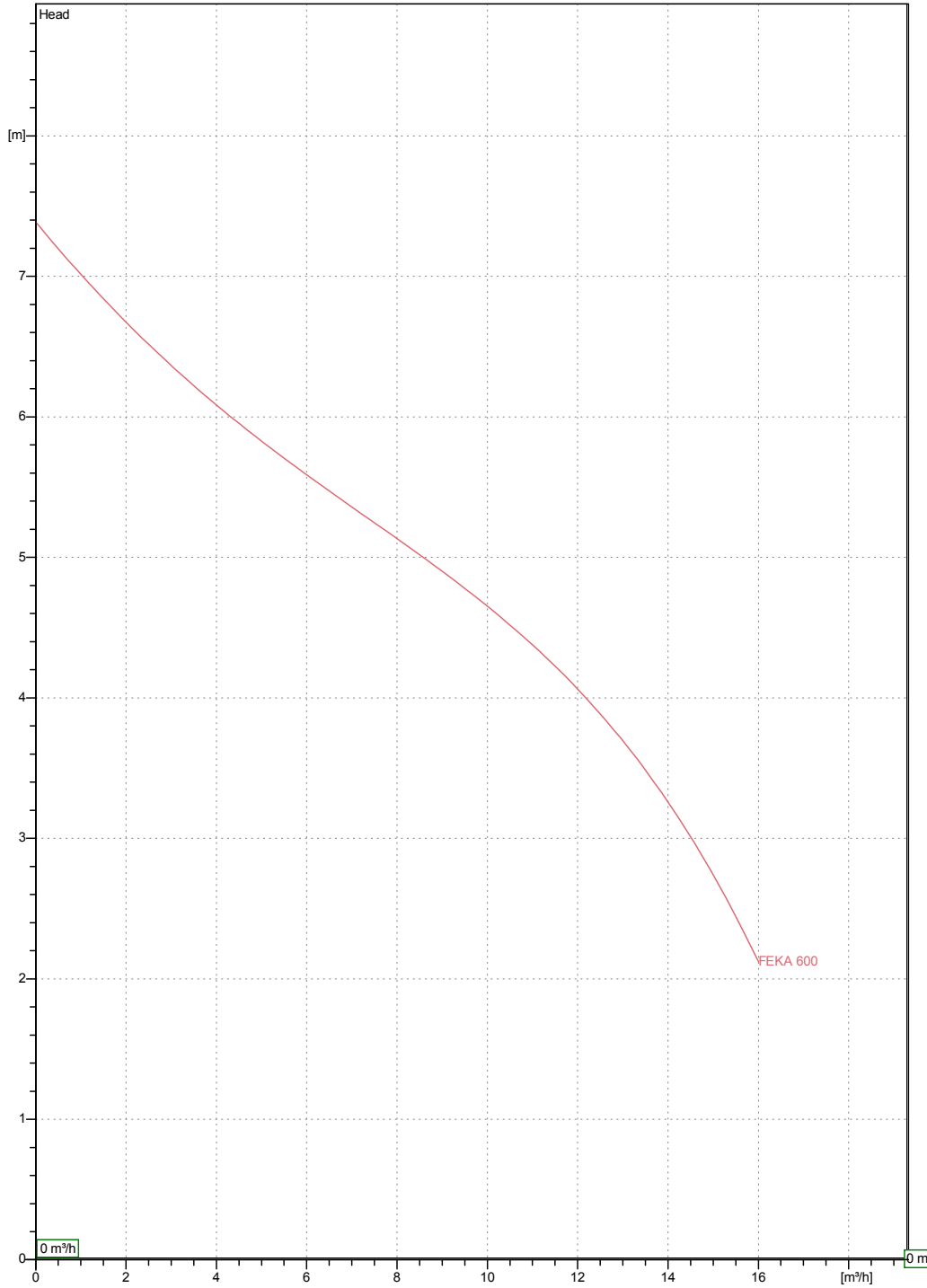
Receiver

From

Society
Reference
Address
Phone
Fax
E-mail

FEKA 600 M-A

Curve tolerance according to ISO 9906



Hydraulic data (duty point)

Suction side	Discharge side 1 " 1/4 G --	Flow : 0 m³/h	Head : 0 m	Rated speed : 2850 rpm
Project	Project ID	Created by	Created on 07/12/2014	



WATER • TECHNOLOGY

DIMENSIONAL DRAWING

08/12/2014

Page 3 / 3

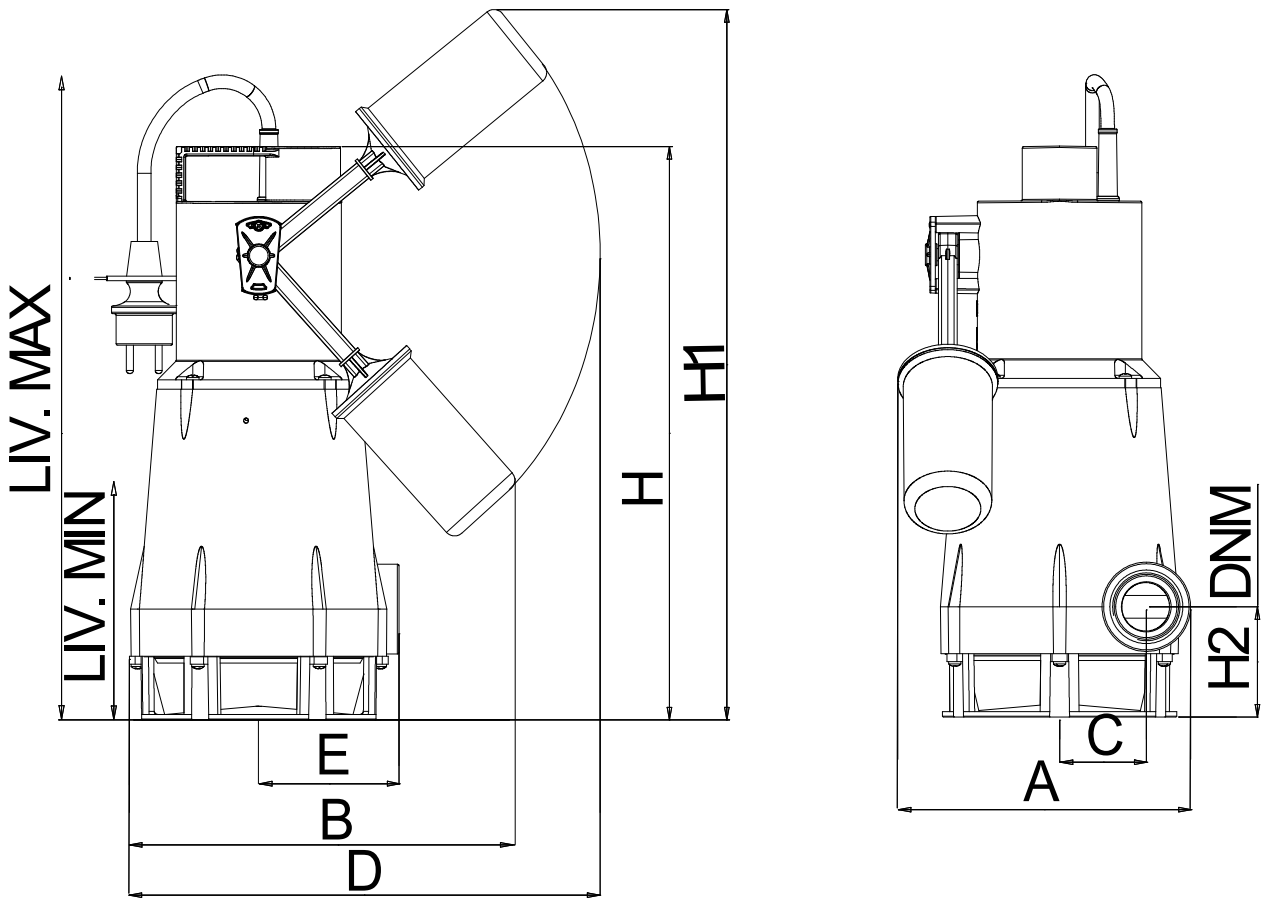
DAB PUMPS S.p.A.
Via Marco Polo, 14 - 35035 Mestrino (PD), Italy
Tel. +39 049 5125000 - Fax +39 049 5125950
www.dabpumps.com

Receiver

From

Society
Reference
Address
Phone
Fax
E-mail

FEKA 600 M-A



Dimensions in mm

1	A	189	LIV MIN	190		
2	B	247				
3	C	56				
4	D	303				
5	DNM	1" 1/4 G				
6	E	90				
7	H	365				
8	H1	452				
9	H2	70.5				
10	LIV MAX	390				

Pump connection

Suction

Discharge
1" 1/4 G
-

Project

Project ID

Created by

Created on

07/12/2014